

SkyROLL

ELECTRIC / RADIO/SOLARROLLER SHUTTER



General comments

Please read the instructions carefully before attempting assembly. To ensure proper functioning and safe operation of the product, follow the directions in this manual. Please keep it for possible future use and pass it on to any new user.

Content

- a. M6x15 screw (4 pcs)
- b. M6 nut (4 pcs)
- c. Self-drilling screw
- d. M4x20 screw (2 pcs)
- e. M4 nut (2 pcs)
- f. O-ring (2)
- g. Bottom slide (2 pcs.)
- h. Stencil (1)

Tools

- Drill Drill bit
- Ø 6 Drill bit
- Ø 4 Allen
- key 4
- Allen key 3
- Phillips screwdriver

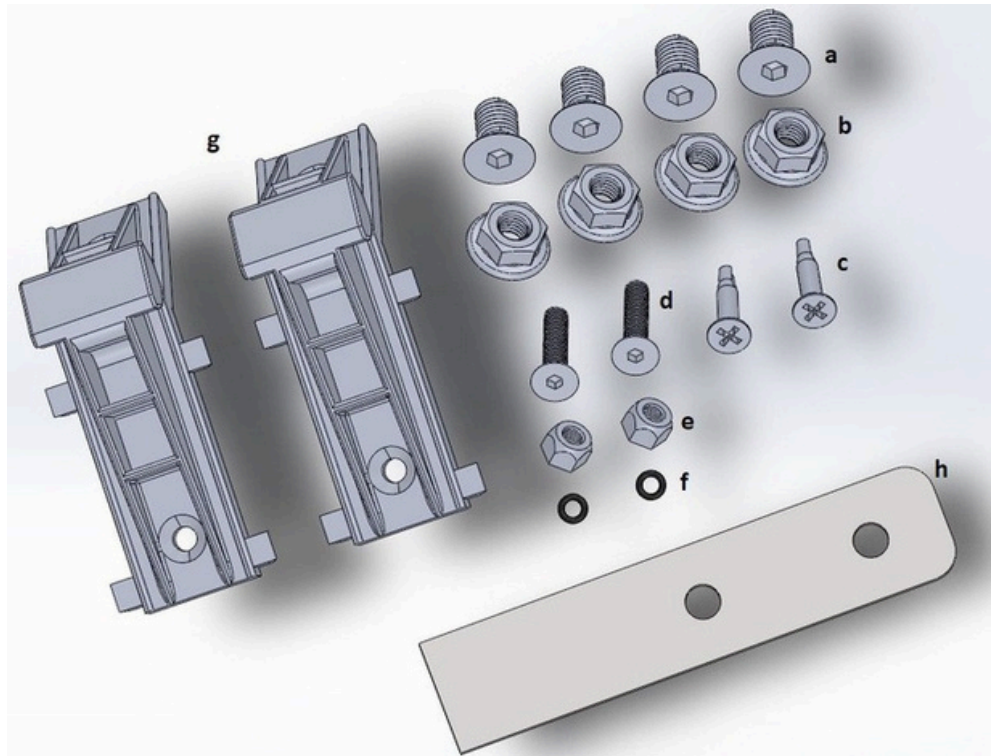


Fig.1

Assembly

- 1) Before installation, unpack the roller shutter and check if there are all the elements necessary to install it (in accordance with the "Contents" section) and prepare the required tools (in the "Tools" section). Do not install an incomplete roller shutter!
- 2) Customize a template [h] to the edge of the upper (transverse) sheet of the window cladding (Fig.2). Then drill 2 holes with a Ø 6 drill bit. Turn the template over and repeat in the opposite corner (Fig.3)

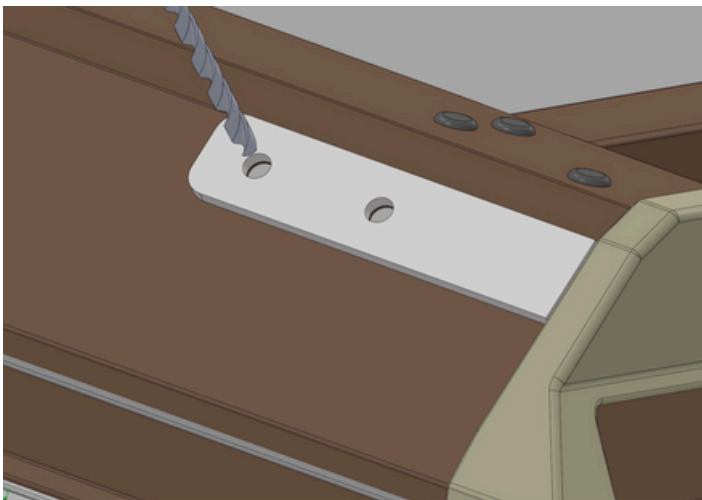
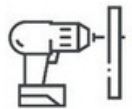


Fig.2

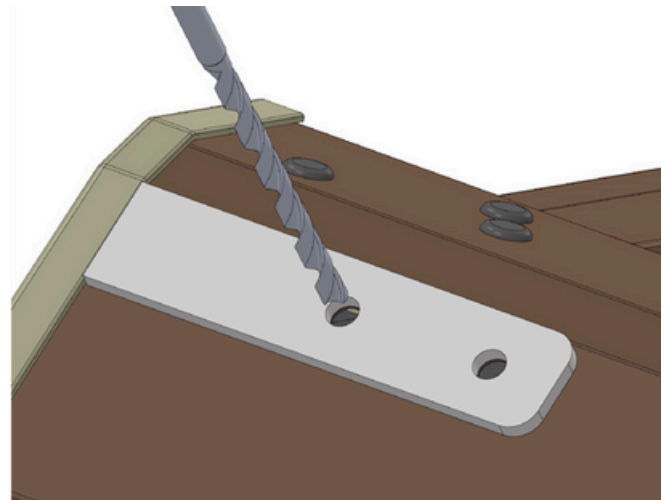


Fig. 3

- 3) Apply the slide **[g]** to the lower edge of the sash (Fig. 5 & 6)

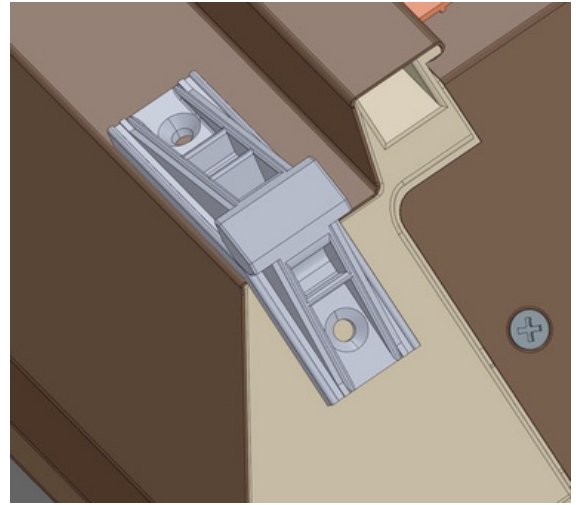
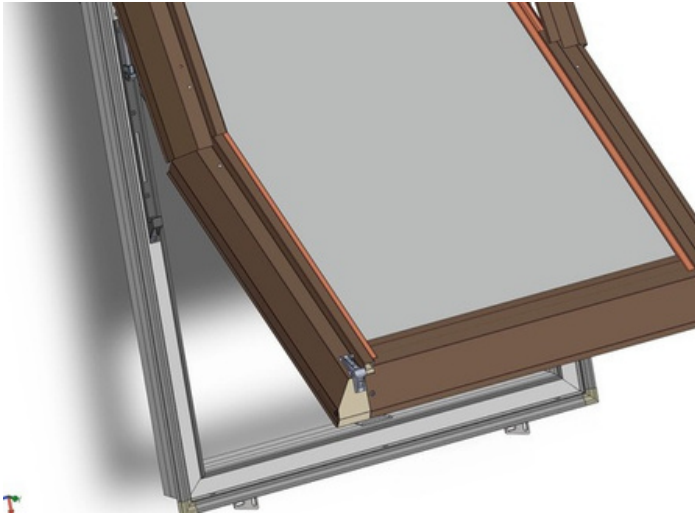


Fig.5

Fig.6

- 4) Use a $\varnothing 4$ drill bit to drill a hole in the bottom sheathing of the sheet metal (Fig. 7) and then fasten the **M4x20** screw **[d]**, M4 nut **[e]** and O-ring **[f]** with the kit as shown in (Fig. 8)

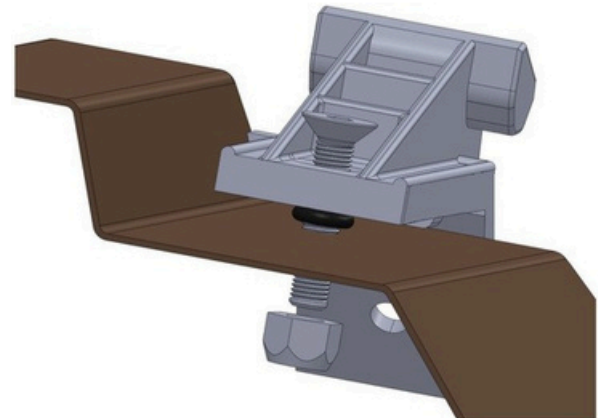
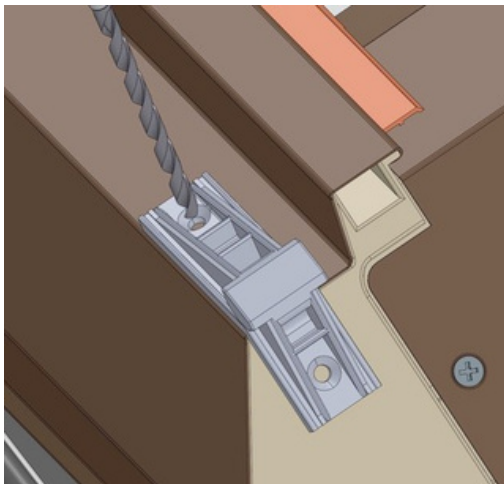


Fig.7

Fig.8

- 5) Screw the lower part of the slide **[g]** with a self-drilling screw (Fig. 9). Repeat the steps for the second slide (Fig.10)

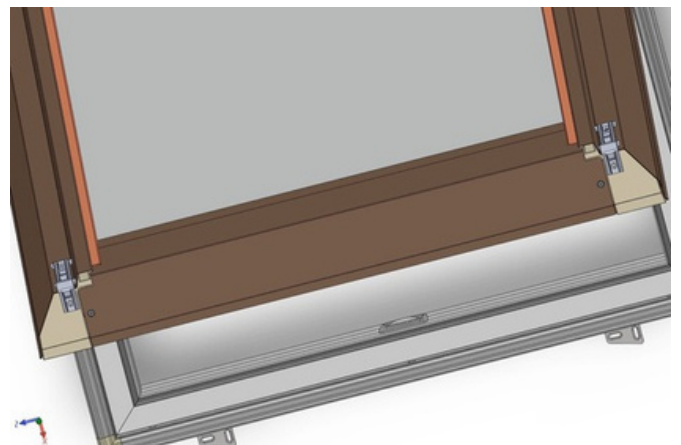
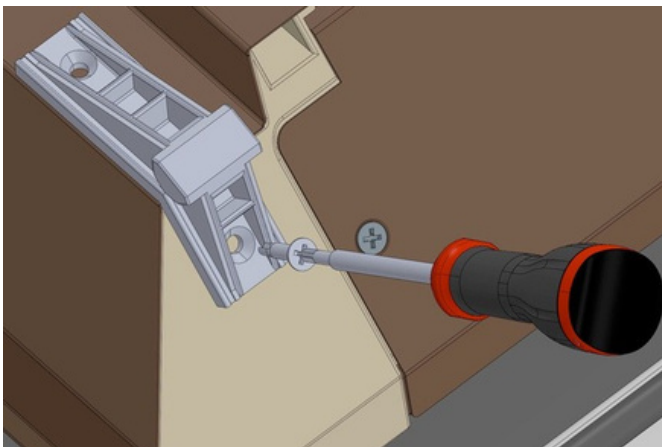


Fig.9

Fig.10

6) Insert the lower part of the roller shutter guides into the previously attached slides (Fig.11 and 12)

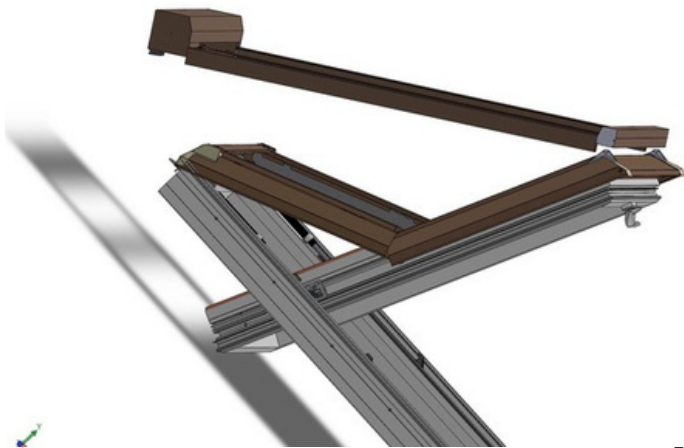


Fig.11

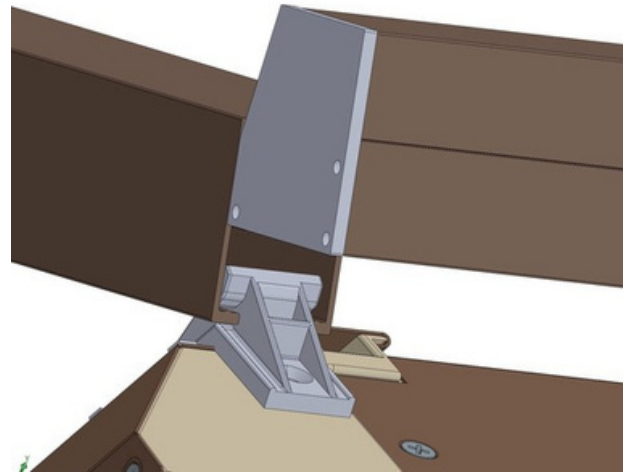


Fig.12

7) Fasten the top hinges with M6x15 screws [a]



Fig.13

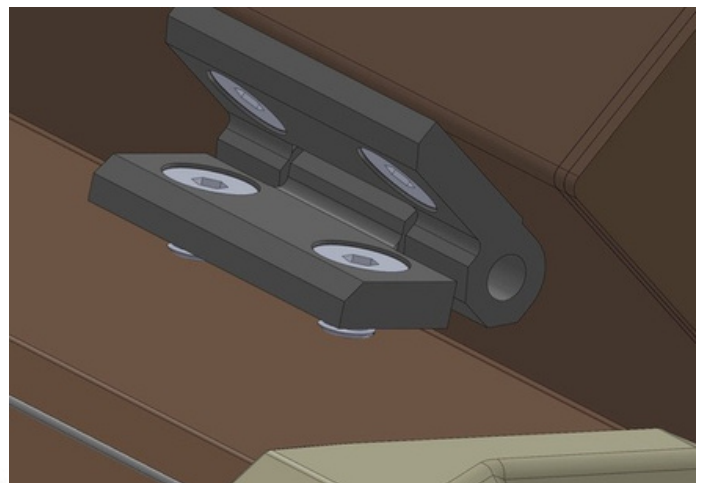


Fig.14

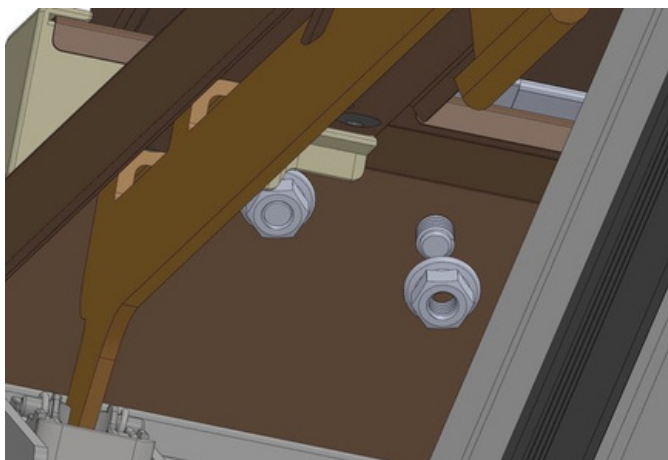


Fig.15

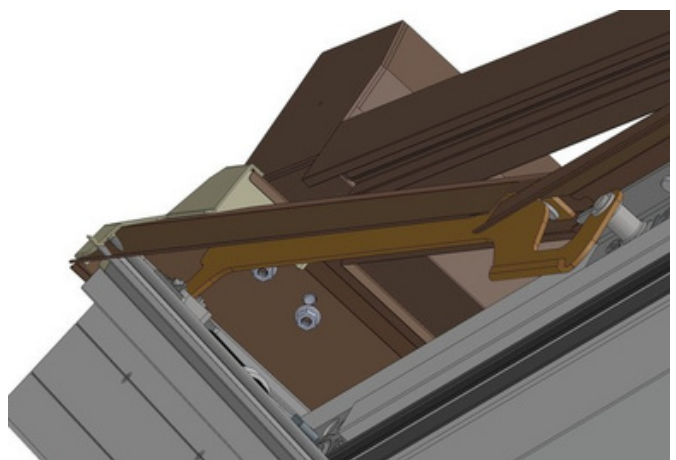


Fig.16

8) Bring in the electrical cord. The cable should be inserted without damaging the window and the sealing flashing around the window.

WARNING!

- Installation of the system can only be made by a qualified installer with the appropriate electrical license. The local safety regulations as well as the technical connection conditions required by the local utility must be observed during installation. It is forbidden to make arbitrary alterations or changes to the electrical installation.



Usage safety

- Before allowing the roller shutter to be used, it should be fully lowered and raised, checking its correct operation, m.in. whether it works easily and does not block. The product may only be operated by persons who have read its instruction manual and comply with the instructions contained therein (including safety).
- Children are not allowed to play with the external blind.
- Do not use the exterior roller shutter if it needs to be adjusted or repaired.
- Before lowering the roller shutter, make sure that there are no obstacles in its working area that will prevent proper up/down operation. In this case, they should be removed and only then should the roller shutter be raised or lowered.
- During very strong winds and gusty winds, the roller shutter should be fully raised or completely lowered. Leaving the roller shutter partially open may result in its rolling up and damage.
- In frosty weather, if the roller shutter offers strong resistance when opening or closing, these steps should be abandoned.
- It is forbidden to lower and raise the blind manually.
- Before carrying out any maintenance or repair work, disconnect the product from the power source and ensure that no accidental connection occurs during the course of the work.
- It is forbidden to make changes in the structure of the roller shutter and to install parts or elements not provided for by the manufacturer. In this case, the product warranty is voided.
- Using the roller shutter in the open position for washing may damage it.

Removal

- In order to disassemble the external roller shutter, follow the instructions, but in reverse order. In the case of further use of the window from which the roller shutter has been dismantled, the window cladding (capote and lower side plates) should be replaced with new ones to prevent leaks. Electronic waste must not be disposed of with household waste, but in accordance with the relevant regulations. The packaging can be disposed of with other household waste.

Maintenance

If the roller shutter is installed correctly, it requires little maintenance on the part of the user. It should be cleaned with a soft, damp cloth. In the event of heavy leaf fall, it is necessary to remove them and other impurities from the profiles of the roller shutter guide.

CAUTION!

To avoid damage to the roller shutter in regions with heavy snowfall, it is recommended to install snow stoppers above it. The roller shutter is protected against overload and will stop automatically if it is blocked.



The Declaration of Performance is available on the www.skyfens.pl website.



PN-EN 13561:2015-07